

Coating is the physical process of laying a liquid or solid onto the surface of a paper, fibre or fabric. The objective is to achieve uniformity of coverage (uniformity of weight distribution) while controlling the variance of thickness of the coating.

Coating is most typically seen in pre-preg systems for the application of a resin to a paper or film.

For more information contact us:

CYGNET TEXKIMP

Swan House, Kimpton Drive,
Off Wincham Lane, Northwich,
Cheshire. CW9 6GG

Tel: 01606 338748

Fax: 01606 338749

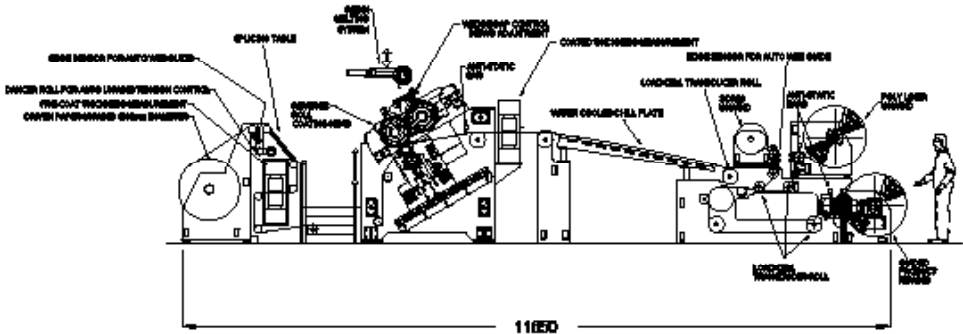
email: info@cygnet-texkimp.com

web: www.cygnet-texkimp.com

The ultimate in coating precision and performance, reverse roll coaters are used in aerospace pre-preg lines to give tight control of coating weight and resin distribution.

Reverse roll coaters are also able to handle a wide range of coating agents, densities and viscosities.

REVERSE ROLL COATING



Common features include:

Precision ground coating rolls with ceramic or chrome roll facing

Precision gap control – manual & automatic

Side dam width adjustment

Integrated resin delivery and mixing systems

Resin preparation systems

Die, blade or roll to distribute coating

Used for high-end aerospace materials such as prepregs

Supplied as lab scale to 70 (1780mm) wide production lines.

Provides the tightest level of specifications and product requirements.

Ability to utilise feedback from coat weight measurement device.

Opposing rolls regulated the movement of the coating agent and the substrate.

Online control of gap between opposing rolls